

ENGINEERING DRAWING-I
1st Exam/Common/7152/Nov'24
(For 2018 Batch Onwards)

Duration: 4Hrs.

M.Marks:100

SECTION-A

Q1. Fill in the blanks.

10x1.5=15

- a. Trimmed sheet size 420mm X 594mm is designated as _____ sheet.
- b. Reducing scale is indicated as _____
- c. Lines which project or transfer locations from one view to other, for constructing a drawing are called _____ lines.
- d. Thickness of arrowhead is _____ length of arrowhead.
- e. "SQ" written before a dimension denotes a _____
- f. Section lines are drawn at an angle of _____
- g. Representative Fraction is _____
- h. An object assumed to be situated behind V.P. and below H.P. is in _____ quadrant.
- i. A sectional view in which quarter portion of the object is assumed to be removed is _____ sectional view.
- j. Isometric length of a drawing is _____ times its true length.

SECTION-B

Q2. Attempt any five questions.

5x7=35

- i. Write freehand, "SPEAK BEAUTIFUL THINGS", in single stroke vertical capital letters with size 10mm.
- ii. Draw a plain scale to show meters and decimetres. Show on it a distance of 11 meters 4 decimetres.
- iii. Discuss the difference between first and projection and third angle projection. Also draw their respective symbols.
- iv. A line PQ 40mm long is parallel to VP and inclined at an angle of 30° to HP. The lower end P is 15mm above HP and 20mm in front of VP. Draw its plan and elevation.
- v. Draw the symbols representing the following: - a) Glass b) Wood c) Cast Iron d) Liquid e) Earth
- vi. What is importance of dimensioning? Explain chain and parallel dimensioning.

SECTION-C

Q3. Attempt any two questions.

2x25=50

- a. A cube of 40mm side is placed axially on a cylindrical slab of 75mm diameter and 45mm thickness. Draw the isometric view for this setup.
- b. Isometric view of a block is shown in fig.1. Draw its front view, top view and side view to full scale in first angle projection.
- c. Fig.2 below shows a pictorial view of an object. Draw the Sectional front view, Side view, Top view.

S. B. Roll. No.....

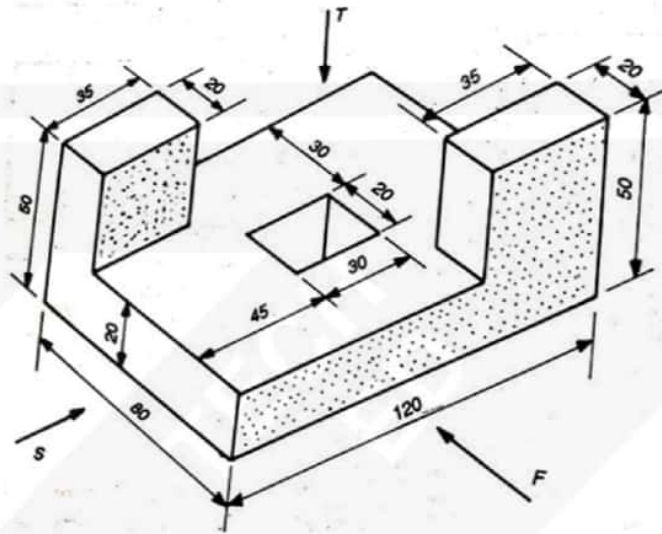


Figure 1

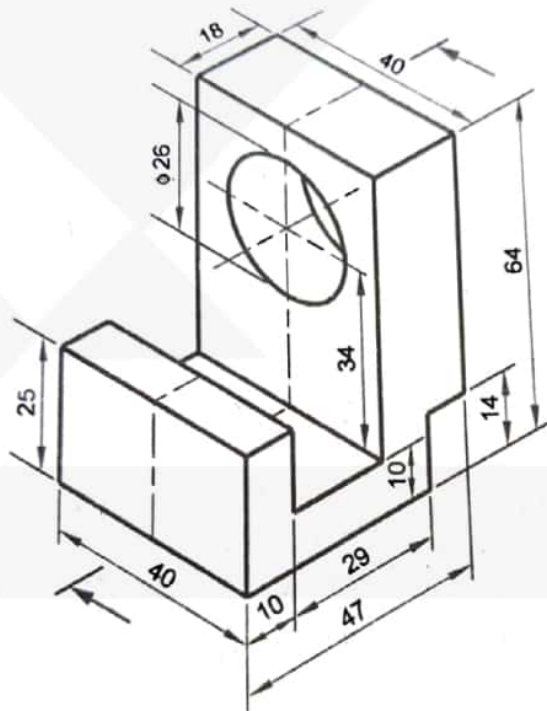


Figure 2